

套管扶正器：

利用高强度弹簧钢支撑套管，使套管居中，提高固井质量。

1. 由模具压制而成，整个扶正器无焊接，无铆钉，结构牢固。
2. 可拆卸堆放：便于储运，安装方便
3. 启动力，复位力均符合 API 10D 标准。
4. 如能配备旋流片，能更有效地改善顶替效率。



Casing Centralizer:

High-strength spring steel is applied to centralize casing in wellbore, and improve cementing quality.

1. The attachment is pressed into shape by moulding instead of welding and rivet.
2. Removable and easy to transport or fix.
3. Starting force and restoring force meet for API 10D standards.
4. Alternative turbulence plates can effectively enhance displacement efficiency.



A 型主要技术参数

Main Specifications Parameters

规格 Specification	13 3/8"	9 5/8"	7"	5 1/2"	5"	4 1/2"
套管尺寸 Casing Size	13 3/8"	9 5/8"	7"	5 1/2"	5"	4 1/2"
井眼尺寸 Open Hole Size	17 1/2"	13 3/8"	8 1/2"	8 1/2"	6 1/2"	5"
最大外径, mm MAX O.D., mm	460	348	236	233	175	165



B 型主要技术参数

Main Specifications Parameters

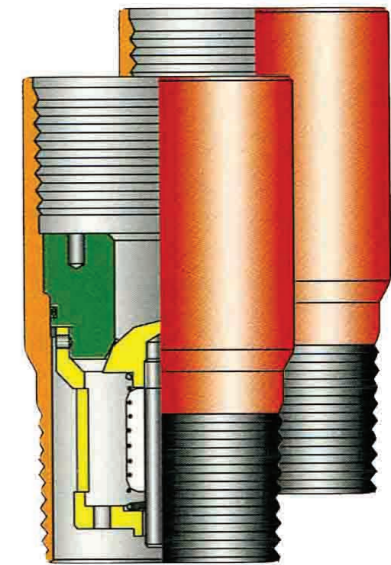
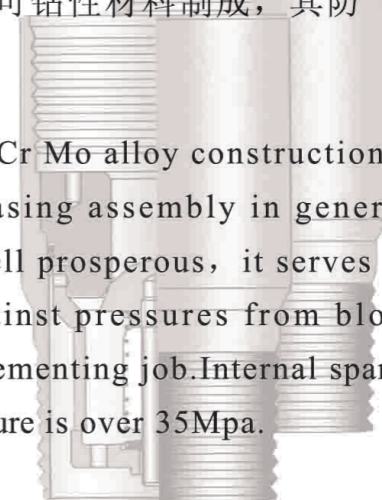
规格 Specification	13 3/8"	9 5/8"	7"	5 1/2"	5"	4 1/2"
套管尺寸 Casing Size	13 3/8"	9 5/8"	7"	5 1/2"	5"	4 1/2"
井眼尺寸 Open Hole Size	17 1/2"	13 3/8"	8 1/2"	8 1/2"	6 1/2"	5"
最大外径, mm MAX O.D., mm	460	348	236	233	175	165

浮箍：

FC 型浮箍外壳采用合金结构钢，一般应用于套管总成，主要用于引导套管柱顺利入井，在固井时准确控制套管内水泥塞高度，从而确保和提高固井质量。内部零件皆由可钻性材料制成，其防回压能力可达 35Mpa。

Float Collars:

Shell of FC float collar is applied of 35 Cr Mo alloy constructional steel. The float collar is applied to the casing assembly in general and used for guiding casing string into well prosperous, it serves as an extra back pressure valve sealing against pressures from blow while running the assembly and after the cementing job. Internal parts are readily drillable, its capability of back-pressure is over 35Mpa.



浮鞋：

FS 型浮鞋带有可循环延伸管，外壳采用 35CrMo 合金结构钢，可用于直井，大斜度井和水平井，防回压能力可达 35Mpa。

特点：阀体运动稳定可靠、复位密封、承压效果好，芯体采用可钻性好的材料制成，具有可钻性。在引导套管顺利入井时，套管内同时可充入泥浆，减少套管对地层的激动压力，节约下套管时间。泥浆循环后，浮鞋的阀只起正向流通、反方向关闭的单向阀作用。是理想的固井管串附件。分浮球式、弹簧式和自灌式三种。

Float Shoes :

Extension tubes of FS float shoes can be recycled, and the shell is 35 CrMo alloy constructional steel. The valve runs stable, holding resert sealing and high resist pressure. The core body is made of good drillable material. While guiding casing string into well prosperous, the casing string is filled with mud at the same time, reducing the back-pressure to prevent back flow. After mud recycled, float shoes valve is the single way valve, that is forward direction flowing and the positive direction closed.

